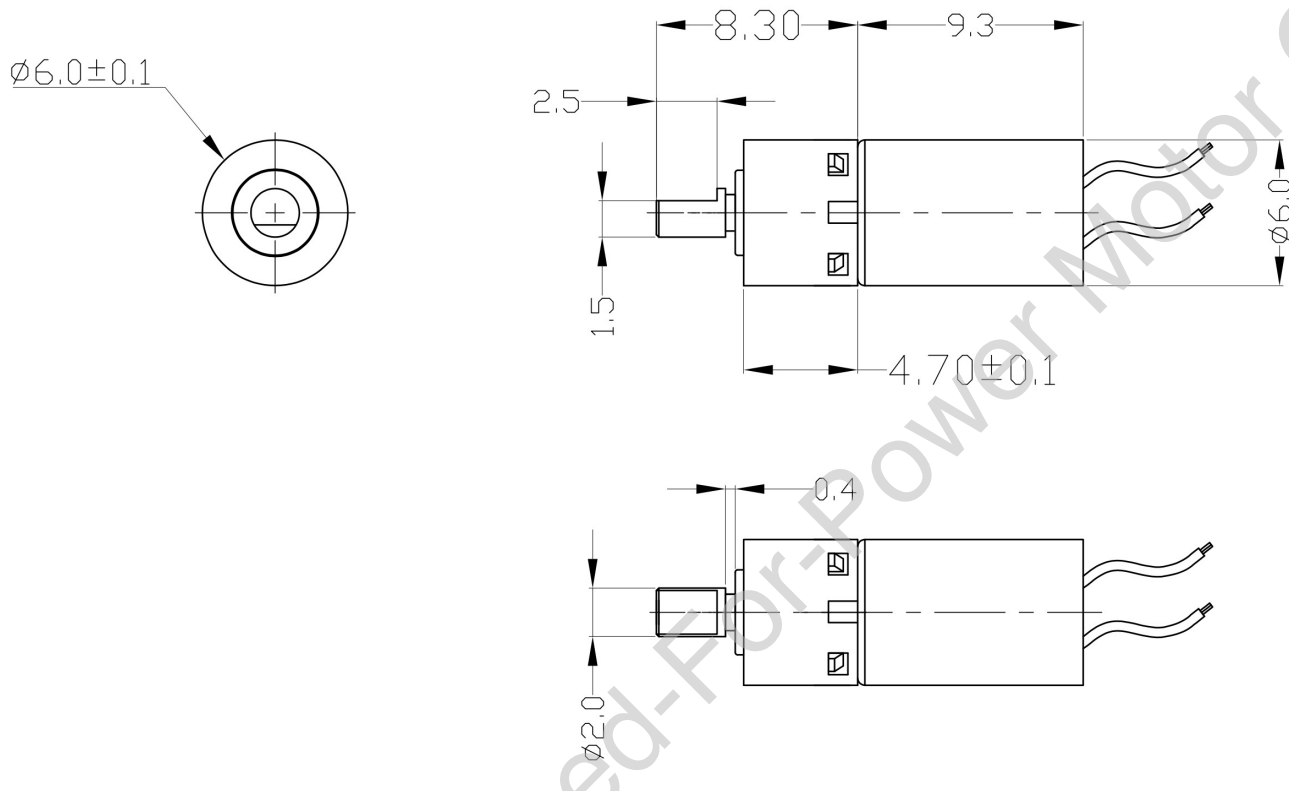


6mm 1 Stage Planetary Gearmotor Ratio: 5.14



Gear Motor Introduction	
Motor model	NFP-609-5.14-0675
Rated voltage	3V DC
Start voltage	$\leq 1V$ DC
No-load current	50mA
Stall current	$\leq 230mA$
Output speed	$6420 \pm 120rpm$
Work torque	5g.cm
Ratio	5.14
No-load noise	$< 48db$

